

Product Information

Flow Fitting FF25



- Material PVC-U
- Medium temperature 0..60°C
- Process pressure max. 10 bar at 22°C
- Pipe diameter from DN15 up to DN100
- Mounting with PVC-U standard fittings

Characteristics

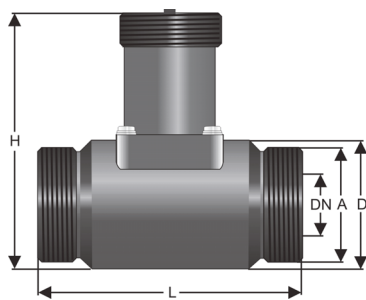
The flow fitting FF25 is specially designed for the flowrate sensor FS242.

Pressure-temperature diagram PVC-U



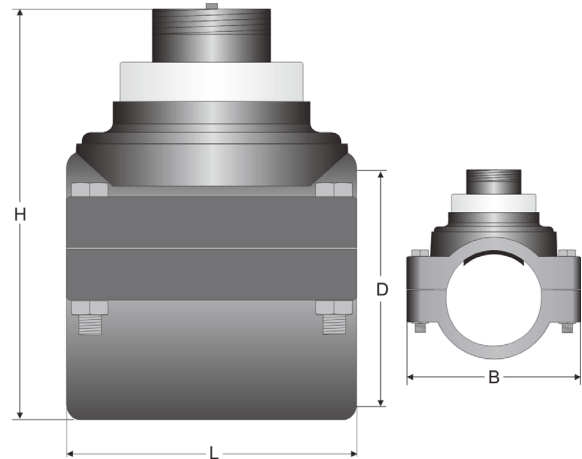
Dimensions

FF25-2-0-XX-00



DN	A	D	L	H
15	G 1	49.2	90	100.3
20	G 1 ¼	51.2	100	103.3
25	G 1 ½	54.0	110	107.5
32	G 2	68.0	110	117.6
40	G 2 ¼	72.3	120	123.3
50	G 2 ¾	86.0	130	134.7

FF25-3-0-XX-00



DN	L	H	D	B
65	105	143	75	136
80	105	161	90	154
100	105	176	110	176

Ordering code

FF25 - 1. - 2. - 3. - 4.

1. Process connection	
2	union nut (up to DN50)
3	drilling pipe clamp (up from DN65)
2. Material	
0	PVC
3. Nominal diameter process connection	
	DN15, 20, 25, 32, 40, 50, 65, 80, 100
4. Options	
00	without option